

# NEW PRODUCT

## 禁铜快插式接头系列产品

Cooper-free Specifications Quick Connecting Tube Fittings

订购号 / Order

SF C 06 - 01 - □

⑤ 塑料体帽颜色/Color

④ 螺纹尺寸/Thread Size;

	英制锥管螺纹/Taper Pipe Thread				英制直管螺纹/G Thread				公制螺纹/Metric Thread	
代号/Code	01	02	03	04	G01	G02	G03	G04	M5	M6
尺寸/Size	R1/8	R1/4	R3/8	R1/2	G1/8	G1/4	G3/8	G1/2	M5X0.8	M6X1

③ 管径/ Tube Outer Diameter

	公制/Metric Size				
代号/Code	04	06	08	10	12
气管外径/Tube Outer Diameter(mm)	Φ4	Φ6	Φ8	Φ10	Φ12

② 种类/Form

① 类别/Category

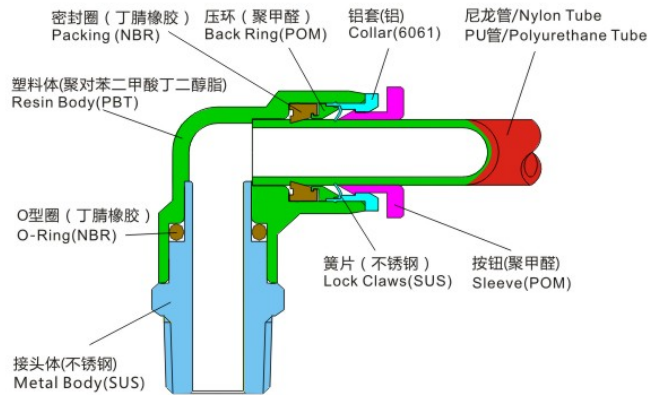
### 特点 / FEATURES

- 可用于铜、锌材质有限的环境
- 本体为不锈钢，耐腐蚀性强
- 外形尺寸与标准品相同
- It can be used in restricted environment of copper and zinc.
- The body is stainless steel with strong corrosion resistance.
- The dimensions are the same as the standard ones.

### 技术参数 / SPECIFICATIONS

使用流体/Fluid	空气, 真空/Air, Vacuum
使用压力范围/Operating Pressure	0~1.0MPa(150psi)
负压/Negative Pressure	-100Kpa(-29.5 in-Hg)
耐压/Max Pressure	1.5MPa
使用环境及流体温度/Operating Temperature	-20~70°C(-4~158°F)
适用软管/Applicable Tube	PU及尼龙管/Polyurethane and Nylon

### 结构图 / STRUCTURE CHART



### SFOC 圆螺纹直通



MODEL			
SFOC04-M5	SFOC06-01	SFOC08-03	SFOC12-02
SFOC04-01	SFOC06-02	SFOC10-02	SFOC12-03
SFOC04-02	SFOC08-01	SFOC10-03	SFOC12-04
SFOC06-M5	SFOC08-02	SFOC10-04	

### SFXG 五通



MODEL			
SFXG06	SFXG08	SFXG08-06	
SFXG06-04	SFXG08-04		

# NEW PRODUCT

## 禁铜快插式接头系列产品

Cooper-free Specifications Quick Connecting Tube Fittings

▶ SFPM  
塑料隔板



MODEL			
SFPM06	SFPM08	SFPM12	

▶ SFGJ  
插入式变径



MODEL			
SFGJ06-04	SFGJ08-06	SFGJ10-08	SFGJ12-08
SFGJ08-04	SFGJ10-06	SFGJ12-10	

▶ SFZ  
四通



MODEL			
SFZ04	SFZ08	SFZ12	
SFZ06	SFZ10		

▶ SFK  
五通



MODEL			
SFK04	SFK10	SFK08-06	
SFK06	SFK06-04	SFK10-06	
SFK08	SFK08-04	SFK10-08	

▶ SFLL  
加长螺纹弯头



MODEL			
SFLL04-M5	SFLL06-02	SFLL08-04	SFLL12-03
SFLL04-01	SFLL06-03	SFLL10-02	SFLL12-04
SFLL04-02	SFLL08-01	SFLL10-03	
SFLL06-M5	SFLL08-02	SFLL10-04	
SFLL06-01	SFLL08-03	SFLL12-02	

▶ SFH  
外六角弯头



MODEL			
SFH04-M5	SFH06-02	SFH08-04	SFH12-03
SFH04-01	SFH06-03	SFH10-02	SFH12-04
SFH04-02	SFH08-01	SFH10-03	
SFH06-M5	SFH08-02	SFH10-04	
SFH06-01	SFH08-03	SFH12-02	

▶ SFB  
螺纹正三通



MODEL			
SFB04-M5	SFB06-02	SFB08-04	SFB12-03
SFB04-01	SFB06-03	SFB10-02	SFB12-04
SFB04-02	SFB08-01	SFB10-03	
SFB06-M5	SFB08-02	SFB10-04	
SFB06-01	SFB08-03	SFB12-02	

▶ SFD  
螺纹侧三通



MODEL			
SFD04-M5	SFD06-02	SFD08-04	SFD12-03
SFD04-01	SFD06-03	SFD10-02	SFD12-04
SFD04-02	SFD08-01	SFD10-03	
SFD06-M5	SFD08-02	SFD10-04	
SFD06-01	SFD08-03	SFD12-02	

▶ SFX  
螺纹Y三通



MODEL			
SFX04-M5	SFX06-02	SFX08-04	SFX12-03
SFX04-01	SFX06-03	SFX10-02	SFX12-04
SFX04-02	SFX08-01	SFX10-03	
SFX06-M5	SFX08-02	SFX10-04	
SFX06-01	SFX08-03	SFX12-02	

▶ SFSC □ □ -M5  
M5节流阀



MODEL			
SFSC04-M5	SFSC06-M5		

▶ SFSUW  
自锁型管道阀



MODEL			
SFSUW04	SFSUW06		

▶ SFSU  
管道阀



MODEL			
SFSU06	SFSU08	SFSU10	SFSU12

SFSU04可以用SFSUW04代替使用  
SFSU04 can be replaced by SFSUW04

# NEW PRODUCT

## 快拧接头

Push On Fittings

订购号 / Order

IBH 06 - 01 - □ - □

### ⑤ 螺母种类/Nut Type

代号/Code	空白/Blank	S
种类/Type	滚花/Knurling	六角/Hexagon

### ④ 内径代号/I.D Code

外径/O.D	4	6	8	10	12	14	16	
代号/Code	空白/Blank	4X2.5	6X4	8X6	10X8	12X10	14X10	16X12
	A			8X5	10X6.5	12X8		16X13
	B					12X9		

### ③ 螺纹尺寸/Thread Size;

	英制锥管螺纹/Taper Pipe Thread				英制直管螺纹/G Thread				公制螺纹/Metric Thread
代号/Code	01	02	03	04	G01	G02	G03	G04	M5
尺寸/Size	R1/8	R1/4	R3/8	R1/2	G1/8	G1/4	G3/8	G1/2	M5X0.8

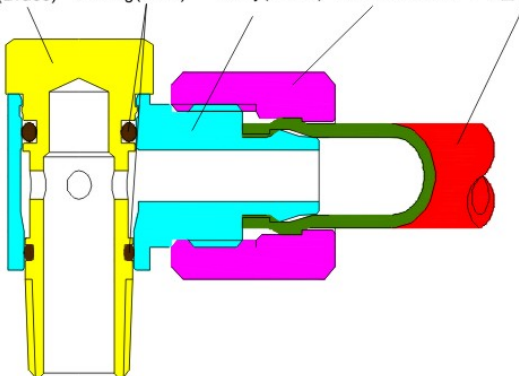
### ② 管径/Tube Outer Diameter

	公制/Metric Size						
代号/Code	04	06	08	10	12	14	16
气管外径/Tube Outer Diameter(mm)	Φ4	Φ6	Φ8	Φ10	Φ12	Φ14	Φ16

### ① 型号/MODEL

结构图 / STRUCTURE CHART

螺纹体(铜镀镍) Metal Body(Brass) O型圈(丁晴橡胶) O-Ring(NBR) 体(铜镀镍) Body(Brass) 螺帽(镀镍铜) Cap Nut(Brass) 尼龙管/Nylon Tube PU管/Polyurethane Tube



IBH 外六角快拧接头



### MODEL

IBH04-01	IBH06-03	IBH08-04	IBH12-03
IBH04-02	IBH08-01	IBH10-02	IBH12-04
IBH06-01	IBH08-02	IBH10-03	
IBH06-02	IBH08-03	IBH10-04	

# NEW PRODUCT

## 自锁型节流阀

Self locking Speed Controls

订购号 / Order

ISCW 06 - 01 - □ - □

⑤ 颜色/Color

④ 控制方式/Control Way

代号/Code	空白/Blank	B
控制方式/Control Way	排气节流/Exhaust Control out	进气节流/Entering air Control in
符号/Type		

③ 螺纹尺寸/Thread Size;

	英制锥管螺纹/Taper Pipe Thread				英制直管螺纹/G Thread				公制螺纹/Metric Thread	
代号/Code	01	02	03	04	G01	G02	G03	G04	M3	M5
尺寸/Size	R1/8	R1/4	R3/8	R1/2	G1/8	G1/4	G3/8	G1/2	M3X0.5	M5X0.8

② 管径/Tube Outer Diameter

	公制/Metric Size				
代号/Code	04	06	08	10	12
气管外径/Tube Outer Diameter(mm)	Φ4	Φ6	Φ8	Φ10	Φ12

① 型号/MODEL

代号/Code	ISCW
型号/Model	自锁型节流阀/Self locking Speed Controls

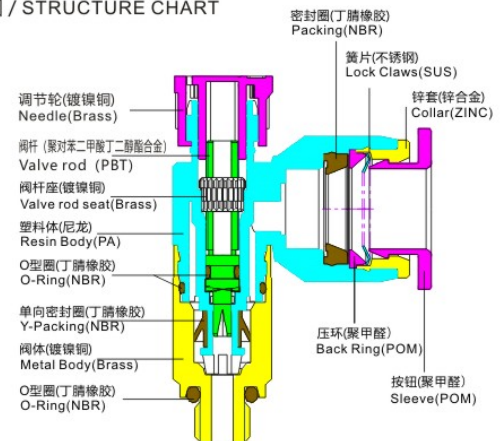
特点 / FEATURES

- 相比标准型调速阀尺寸更小, 适用场合更广
- 调节帽带锁止功能可防止误触或长时间使用导致位置偏移, 使流量更稳定, 更精确
- 排气节流型和进气节流型可选, 方便客户选型使用
- 锁止和解锁快速方便
- PT螺纹涂有螺纹密封胶, G螺纹采用O型圈密封, 能有效连接密封螺纹连接部位
- Compared with standard Speed Controller it has smaller size and wider application range.
- Adjusting the lock function of the cap belt can prevent mis-touch or long-term use leading to position deviation and make the flow more stable and accurate.
- Exhaust control and Entering air control in are optional, which is convenient for customers to choose and use.
- Fast and convenient locking and unlocking.
- PT thread is coated with thread sealant and G thread is sealed with O-ring, which can effectively connect the connecting parts of sealing thread.

技术参数 / SPECIFICATIONS

使用流体/Fluid	空气, 真空/Air, Vacuum
使用压力范围/Operating Pressure	0.1~1.0MPa(15~150psi)
耐压/Max Pressure	1.5MPa(225psi)
使用环境及流体温度/Operating Temperature	-20~70°C(-4~158°F)
适用软管/Applicable Tube	PU及尼龙管/Polyurethane and Nylon

结构图 / STRUCTURE CHART



ISCW 自锁型节流阀



MODEL

ISCW06-03(B)	ISCW08-03(B)	ISCW10-03(B)	ISCW12-03(B)
ISCW06-G03(B)	ISCW08-G03(B)	ISCW10-G03(B)	ISCW12-G03(B)

# NEW PRODUCT

## 304不锈钢过渡接头

304 Stainless Steel Transition Fittings

订购号 / Order

BD - G01 02 - SC

④ 材质代号/SUS304

③ 螺纹尺寸/Thread Size

仅表示BD和CLFM表示外牙螺纹/Only BD and CLFM represent external thread

② 螺纹尺寸/Thread Size;

代号/Code	英制锥管螺纹/Taper Pipe Thread						英制直管螺纹/G Thread					
	01	02	03	04	06	10	G01	G02	G03	G04	G06	G10
尺寸/Size	R1/8	R1/4	R3/8	R1/2	R3/4	R1	G1/8	G1/4	G3/8	G1/2	G3/4	G1

① 型号/MODEL

▶ 内牙直通



MODEL			
BA-G01-SC	BA-G02-SC	BA-G03-SC	BA-G04-SC
BA-G06-SC	BA-G10-SC		

▶ 内牙三通



MODEL			
CEF-G01-SC	CEF-G02-SC	CEF-G03-SC	CEF-G04-SC
CEF-G06-SC	CEF-G10-SC		

▶ 内外牙直通



MODEL			
BD-G0101-SC	BD-G0202-SC	BD-G0303-SC	BD-G0406SC
BD-G0102-SC	BD-G0203-SC	BD-G0304-SC	BD-G0410SC
BD-G0103-SC	BD-G0204-SC	BD-G0306SC	BD-G0610SC

▶ 外牙三通



MODEL			
CET-01-SC	CET-02-SC	CET-03-SC	CET-04-SC
CET-06-SC	CET-10-SC		

▶ 外牙直通



MODEL			
BB-01-SC	BB-02-SC	BB-03-SC	BB-04-SC
BB-06-SC	BB-10-SC		

▶ 内六角堵头



MODEL			
BP-01-SC	BP-02-SC	BP-03-SC	BP-04-SC
BP-06-SC	BP-10-SC		

▶ 内六角堵头G螺纹



MODEL			
BP-G01-SC	BP-G02-SC	BP-G03-SC	BP-G04-SC
BP-G06-SC	BP-G10-SC		

▶ 外牙弯头



MODEL			
CL-01-SC	CL-02-SC	CL-03-SC	CL-04-SC
CL-06-SC	CL-10-SC		

▶ 内牙弯头



MODEL			
CLF-G01-SC	CLF-G02-SC	CLF-G03-SC	CLF-G04-SC
CLF-G06-SC	CLF-G10-SC		

▶ 内外牙弯头



MODEL		
CLFM-G0101-SC	CLFM-G0202-SC	CLFM-G0303-SC
CLFM-G0404-SC	CLFM-G0606-SC	

# NEW PRODUCT

## 304不锈钢快拧式接头系列

304 Stainless Steel Push On Fittings Series

订购号 / Order

IBC 0805 - 01 - SC

④ 材质代号/SUS304

② 螺纹尺寸/Thread Size;

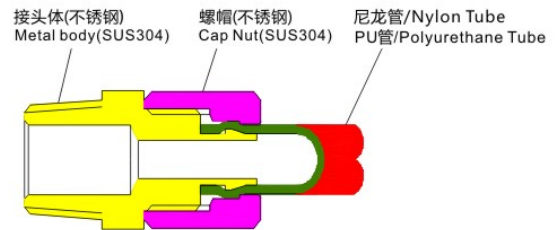
英制锥管螺纹/Taper Pipe Thread				
代号/Code	01	02	03	04
尺寸/Size	R1/8	R1/4	R3/8	R1/2

② 管径/ Tube O.D&I.D

代号/Code	外径/O.D	内径/I.D
0805	Φ8	Φ5

① 型号/MODEL

结构图 / STRUCTURE CHART



技术参数 / SPECIFICATIONS

使用流体/Fluid	空气, 真空/Air, Vacuum
使用压力范围/Operating Pressure	0.1~1.0MPa(15~150psi)
耐压/Max Pressure	1.5MPa(225psi)
使用环境及流体温度/Operating Temperature	-20~70°C(-4~158°F)
适用软管/Applicable Tube	PU及尼龙管/Polyurethane and Nylon

IBE-SC  
快拧正三通



MODEL			
IBE0425-SC	IBE0604-SC	IBE0805-SC	IBE1065-SC
IBE1208-SC	IBE1410-SC	IBE1612-SC	

IBU-SC  
快拧直通



MODEL			
IBU0425-SC	IBU0604-SC	IBU0805-SC	IBU1065-SC
IBU1208-SC	IBU1410-SC	IBU1612-SC	
IBU0604-0425-SC	IBU0805-0604-SC	IBU1065-0604-SC	IBU1065-0805-SC
IBU1208-0604-SC	IBU1208-0805-SC	IBU1208-1065-SC	

IBZL-SC  
快拧不可旋转  
螺纹弯头



MODEL			
IBZL0425-01-SC	IBZL0805-01-SC	IBZL1065-03-SC	IBZL1410-02-SC
IBZL0425-02-SC	IBZL0805-02-SC	IBZL1065-04-SC	IBZL1410-03-SC
IBZL0604-01-SC	IBZL0805-03-SC	IBZL1208-01-SC	IBZL1410-04-SC
IBZL0604-02-SC	IBZL0805-04-SC	IBZL1208-02-SC	IBZL1612-02-SC
IBZL0604-03-SC	IBZL1065-01-SC	IBZL1208-03-SC	IBZL1612-03-SC
IBZL0604-04-SC	IBZL1065-02-SC	IBZL1208-04-SC	IBZL1612-04-SC

IBC-SC  
快拧螺纹直通



MODEL			
IBC0425-01-SC	IBC0805-01-SC	IBC1065-03-SC	IBC1410-02-SC
IBC0425-02-SC	IBC0805-02-SC	IBC1065-04-SC	IBC1410-03-SC
IBC0604-01-SC	IBC0805-03-SC	IBC1208-01-SC	IBC1410-04-SC
IBC0604-02-SC	IBC0805-04-SC	IBC1208-02-SC	IBC1612-02-SC
IBC0604-03-SC	IBC1065-01-SC	IBC1208-03-SC	IBC1612-03-SC
IBC0604-04-SC	IBC1065-02-SC	IBC1208-04-SC	IBC1612-04-SC

IBF-SC  
快拧内螺纹直通



MODEL			
IBF0604-01-SC	IBF0805-01-SC	IBF1065-01-SC	IBF1208-01-SC
IBF0604-02-SC	IBF0805-02-SC	IBF1065-02-SC	IBF1208-02-SC
IBF0604-03-SC	IBF0805-03-SC	IBF1065-03-SC	IBF1208-03-SC
IBF0604-04-SC	IBF0805-04-SC	IBF1065-04-SC	IBF1208-04-SC

IBM-SC  
快拧隔板直通



MODEL			
IBM0425-SC	IBM0805-SC	IBM1208-SC	IBM1612-SC
IBM0604-SC	IBM1065-SC	IBM1410-SC	

IBL-SC  
快拧L型螺纹弯头



MODEL			
IBL0425-01-SC	IBL0805-01-SC	IBL1065-03-SC	IBL1410-02-SC
IBL0425-02-SC	IBL0805-02-SC	IBL1065-04-SC	IBL1410-03-SC
IBL0604-01-SC	IBL0805-03-SC	IBL1208-01-SC	IBL1410-04-SC
IBL0604-02-SC	IBL0805-04-SC	IBL1208-02-SC	IBL1612-02-SC
IBL0604-03-SC	IBL1065-01-SC	IBL1208-03-SC	IBL1612-03-SC
IBL0604-04-SC	IBL1065-02-SC	IBL1208-04-SC	IBL1612-04-SC

# NEW PRODUCT

## 304不锈钢消声器

304 Stainless Steel Silencers

订购号 / Order

**BSL - 01 - SC**

④ 材质代号/SUS304

② 螺纹尺寸/Thread Size;

代号/Code	英制锥管螺纹/Taper Pipe Thread						英制直管螺纹/G Thread				公制螺纹/Metric Thread
	01	02	03	04	06	10	G01	G02	G03	G04	M5
尺寸/Size	R1/8	R1/4	R3/8	R1/2	R3/4	R1	G1/8	G1/4	G3/8	G1/2	M5X0.8

① 型号/MODEL

▶ 长头消声器



MODEL			
BSL-M5-SC	BSL-01-SC	BSL-02-SC	BSL-03-SC
BSL-04-SC	BSL-06-SC	BSL-10-SC	

▶ 平头消声器



MODEL			
BSLM-M5-SC	BSLM-01-SC	BSLM-02-SC	BSLM-03-SC
BSLM-04-SC	BSLM-06-SC	BSLM-10-SC	

▶ 鸟巢消声器



MODEL			
SDV-M5-SC	SDV-01-SC	SDV-02-SC	SDV-03-SC
SDV-04-SC	SDV-06-SC		

# NEW PRODUCT

## PPLL 塑料加长螺纹弯头

PPLL Extended male elbow

订购号 / Order

PPLL 06 - 01 - □

④ 塑料帽颜色/Color

③ 螺纹尺寸/Thread Size

	公制螺纹/Metric Thread		英制锥管螺纹/Taper Pipe Thread				英制直管螺纹/G Thread			
代号/Code	M5	M6	01	02	03	04	G01	G02	G03	G04
尺寸/Size	M5X0.8	M6X1	R1/8	R1/4	R3/8	R1/2	G1/8	G1/4	G3/8	G1/2

② 管径/Tube Outer Diameter

	公制/Metric Size				
代号/Code	04	06	08	10	12
气管外径/Tube Outer Diameter(mm)	Φ4	Φ6	Φ8	Φ10	Φ12

① 型号/Model

特点 / FEATURES

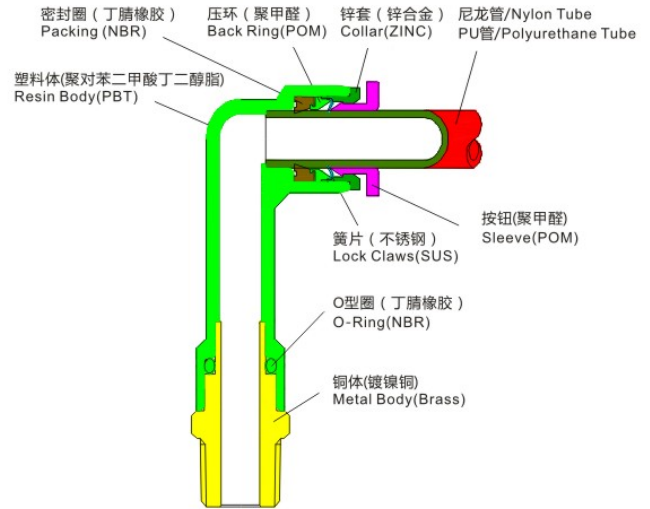
- 用塑料体加长方式代替金属，此产品可替换IPLL系列产品
  - Replace metal by lengthening plastic body.
- This product can replace IPLL series products.**

塑料加长型螺纹弯头



MODEL			
PPLL04-M5	PPLL06-02	PPLL08-04	PPLL12-03
PPLL04-01	PPLL06-03	PPLL10-02	PPLL12-04
PPLL04-02	PPLL08-01	PPLL10-03	
PPLL06-M5	PPLL08-02	PPLL10-04	
PPLL06-01	PPLL08-03	PPLL12-02	

结构图 / STRUCTURE CHART





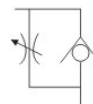
## M5内牙型节流阀

Flow Control Valve with M5 Female thread

ASC-M5-L



符号如下：  
Symbol as follows:



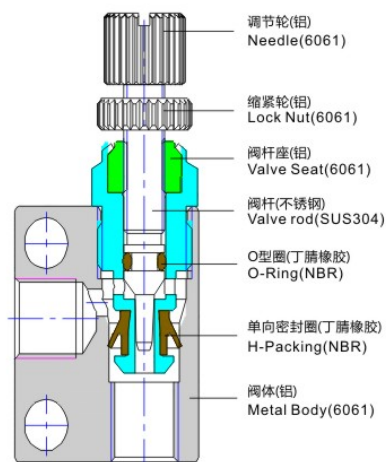
### 特点 / FEATURES

- 此产品为单向节流阀，并带有安装孔，进气和排气都为M5内牙
- 采用禁铜类产品设计，能运用于锂电行业
- This product is a one-way flow control valve with mounting holes, The air inlet and exhaust are M5 female thread.
- It adopts the design of copper-free products, which can be applied to the lithium battery industry.

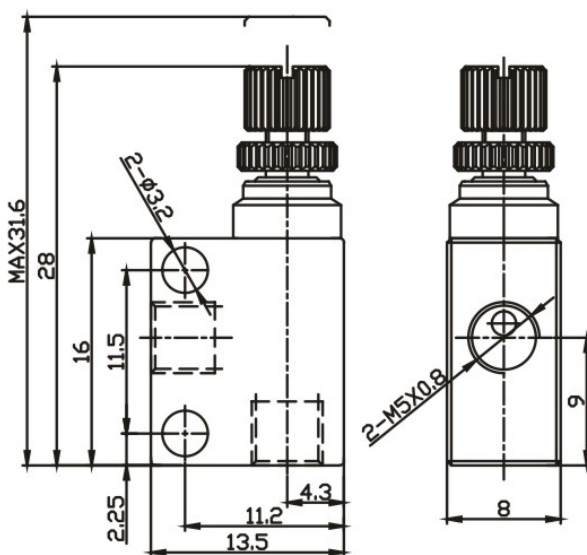
### 技术参数 / SPECIFICATIONS

使用流体/Fluid	空气 /Air
工作压力范围/Operating Pressure	0.1-1MPa(15-150Psi)
最大工作压力/Max Pressure	1.5MPa
使用环境及流体温度/Operating Temperature	-20~70°C/-4~158°F

### 结构图 / STRUCTURE CHART



### 外形尺寸 / DIMENSION



## 内牙型单向阀

Check Valve with female thread

订购号 / Order

### ACV - G01

① 型号/Model

③ 螺纹尺寸/Thread Size

代号/Code	G01	G02
尺寸/Size	G1/8	G1/4

特点 / FEATURES

- 启动压力低且耐压高
- 此产品应运于激光行业

- Low starting pressure and high pressure resistance.
- This product should be used in laser industry.

符号如下：

Symbol as follows:



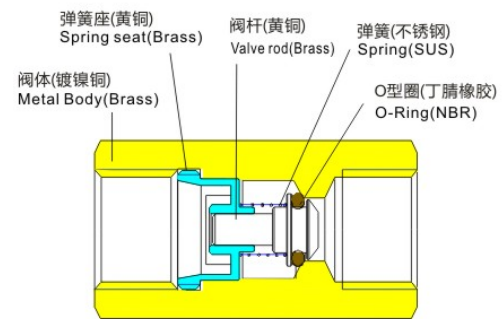
技术参数 / SPECIFICATIONS

使用流体/Fluid	经过滤的压缩空气 / Air (To be filtered)
工作压力范围/Operating Pressure	0.05-2.4MPa
使用环境及流体温度/Operating Temperature	-20~70°C/-4~158°F

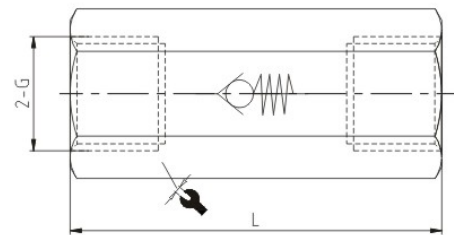


型号	G	L	φ	Qn/4Bar(Nl/min)
ACV-G01	G1/8	34	13	600
ACV-G02	G1/4	43	17	1400

结构图 / STRUCTURE CHART



外形尺寸 / DIMENSION



订购号 / Order

### ACV - G01 - SC

① 型号/Model

③ 材质代号Material code/SUS304

② 螺纹尺寸/Thread Size

代号/Code	G01	G02	G03	G04	G06	G10
尺寸/Size	G1/8	G1/4	G3/8	G1/2	G3/4	G1

内牙单向阀



MODEL			
ACV-G01-SC	ACV-G03-SC	ACV-G06-SC	
ACV-G02-SC	ACV-G04-SC	ACV-G10-SC	

结构图 / STRUCTURE CHART

